

Maximum Rating Tables

518 & 520 Series • All Stock Styles



518 Series • 1.0 S.F.

Ratio	nput RPM	Output RPM	nput HP	Output HP	Output Torque (lb in)
70	1750	25.00	0.332	0.182	460
	1150	16.43	0.230	0.126	485
98	1750	17.86	0.246	0.130	460
	1150	11.73	0.170	0.090	485
147	1750	11.90	0.190	0.095	504
	1150	7.82	0.132	0.066	531
210	1750	8.33	0.139	0.067	504
	1150	5.48	0.096	0.046	531
294	1750	5.95	0.106	0.048	504
	1150	3.91	0.073	0.033	531
441	1750	3.97	0.088	0.032	504
	1150	2.61	0.061	0.022	531
588	1750	2.98	0.072	0.024	504
	1150	1.96	0.050	0.017	531
777	1750	2.25	0.060	0.018	504
	1150	1.48	0.042	0.012	531
966	1750	1.81	0.054	0.014	504
	1150	1.19	0.037	0.010	531
1288	1750	1.36	0.045	0.011	504
	1150	0.893	0.031	0.008	531
1702	1750	1.03	0.037	0.008	504
	1150	0.676	0.026	0.006	531
2220	1750	0.788	0.030	0.006	504
	1150	0.518	0.021	0.004	531
3600	1750	0.486	0.018	0.004	460
	1150	0.319	0.012	0.002	485

520 Series • 1.0 S.F.

Ratio	nput RPM	Output RPM	nput HP	Output HP	Output Torque (lb in)
70	1750	25.00	0.573	0.309	780
	1150	16.43	0.396	0.214	821
98	1750	17.86	0.425	0.221	780
	1150	11.73	0.294	0.153	821
140	1750	12.50	0.305	0.158	799
	1150	8.21	0.211	0.110	841
182	1750	9.62	0.259	0.122	799
	1150	6.32	0.179	0.084	841
260	1750	6.73	0.198	0.085	799
	1150	4.42	0.137	0.059	841
364	1750	4.81	0.145	0.061	799
	1150	3.16	0.100	0.042	841
546	1750	3.21	0.107	0.041	799
	1150	2.11	0.074	0.028	841
676	1750	2.59	0.091	0.033	799
	1150	1.70	0.063	0.023	841
962	1750	1.82	0.072	0.023	799
	1150	1.20	0.050	0.016	841
1260	1750	1.39	0.065	0.018	799
	1150	0.913	0.045	0.012	841
1591	1750	1.10	0.056	0.014	799
	1150	0.723	0.039	0.010	841
2220	1750	0.788	0.045	0.009	757
	1150	0.518	0.031	0.007	797
3600	1750	0.486	0.028	0.006	757
	1150	0.319	0.019	0.004	797

WHEN ORDERING DOUBLE REDUCTION REDUCERS, SPECIFY COMPLETE MODEL NUMBER AS SHOWN ON PAGE 312.

BRAVO®
Single Reduction Reducers

BRAVO® Worm - Worm
Double Reduction

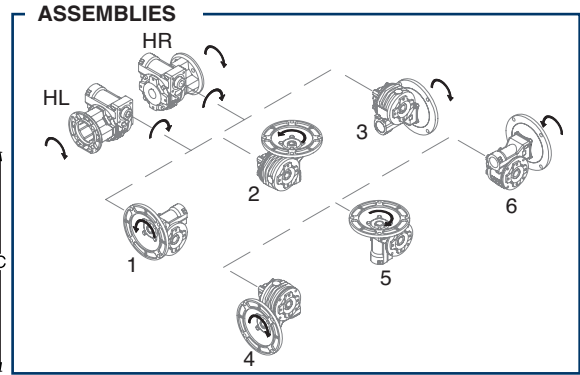
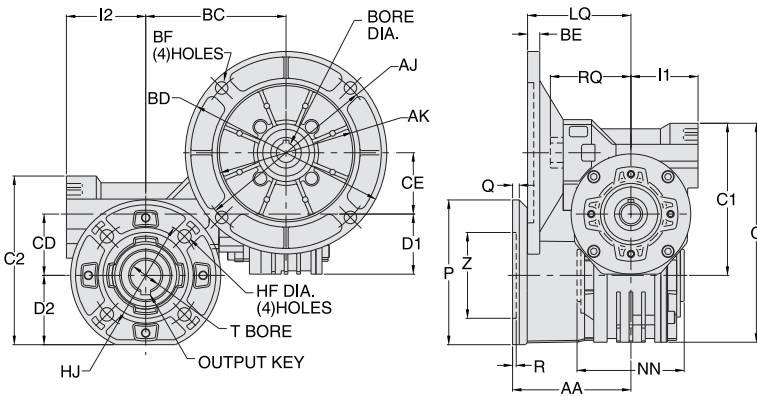
BRAVO® Helical - Worm
Double Reduction

BRAVO® Accessory Kits

Quadro - Single Reduction

High Efficiency Helical - Inline

Style DFHMQ



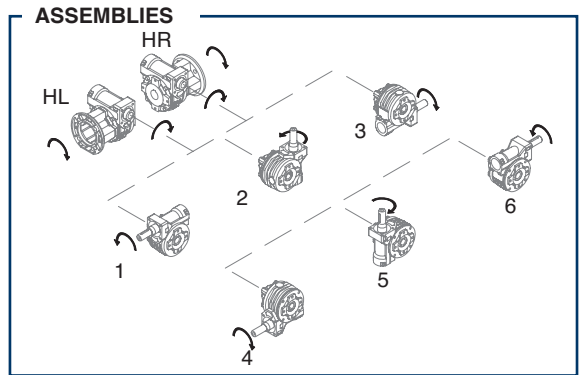
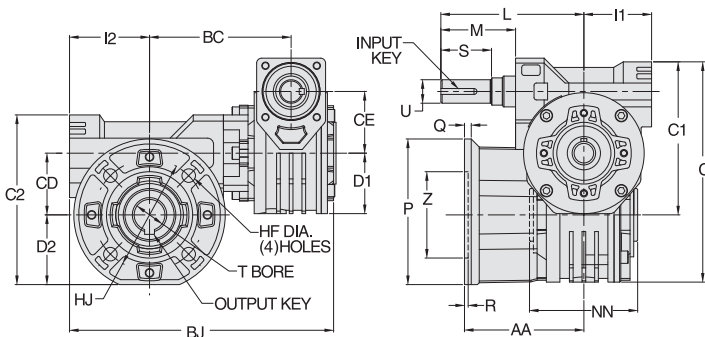
REVERSE ALL ARROWS FOR OPPOSITE INPUT SHAFT ROTATION. CONTACT FACTORY FOR OTHER MOUNTINGS OR ASSEMBLY POSITIONS.

STYLE DFHMQ DIMENSIONS - Inches

Series	AA	BC	C	C1	C2	CD	CE	D1	D2	HF	HJ	I1	I2	LQ* 56C	MN	P	Q	R	RQ	T* +0.0015 -0.0000	Z	OUTPUT KEY*
518	2.38	4.35	6.42	4.76	4.76	1.77	1.77	1.93	1.93	0.335	3.43	2.16	2.16	3.33	2.56	4.33	0.35	0.354	2.60	0.750	2.362	3/16 X 1.00
520	3.35	4.53	7.30	4.76	5.33	1.97	1.77	1.93	2.15	0.413	3.54	2.16	2.56	3.33	3.19	4.84	0.47	0.354	2.60	1.000	2.756	1/4 X 1.62
525	3.39	5.75	9.17	4.76	6.69	2.48	1.77	1.93	2.76	0.413	5.91	2.16	3.11	3.33	4.72	6.89	0.51	0.276	2.60	1.125	4.528	1/4 X 2.00
534	4.25	6.76	12.00	4.76	9.15	3.35	1.77	1.93	3.72	0.512	6.93	2.16	3.86	3.33	5.31	8.07	0.63	0.197	2.60	1.500	5.984	3/8 X 2.00

* Metric options are available. Refer to dimensions on opposite page. Contact factory for availability of metric options.

Style DFH



REVERSE ALL ARROWS FOR OPPOSITE INPUT SHAFT ROTATION. CONTACT FACTORY FOR OTHER MOUNTINGS OR ASSEMBLY POSITIONS.

STYLE DFH DIMENSIONS - Inches

Series	AA	BC	BJ	C	C1	C2	CD	CE	D1	D2	HF	HJ	I1	I2	L	M	NN	P	Q	R	S	T +0.0015 -0.0000	U +0.000 -0.001	Z	INPUT KEY	OUTPUT KEY
518	2.38	4.35	7.90	6.42	4.76	4.76	1.77	1.77	1.93	1.93	0.335	3.43	2.16	2.16	3.86	1.67	2.56	4.33	0.35	0.354	1.18	0.750	0.625	2.362	3/16 X 1.00	3/16 X 1.00
520	3.35	4.53	8.47	7.30	4.76	5.33	1.97	1.77	1.93	2.15	0.413	3.54	2.16	2.56	3.86	1.67	3.19	4.84	0.47	0.354	1.18	1.000	0.625	2.756	3/16 X 1.00	1/4 X 1.62
525	3.39	5.75	10.24	9.17	4.76	6.69	2.48	1.77	1.93	2.76	0.413	5.91	2.16	3.11	3.86	1.67	4.72	6.89	0.51	0.276	1.18	1.125	0.625	4.528	3/16 X 1.00	1/4 X 2.00
534	4.25	6.76	12.01	12.00	4.76	9.15	3.35	1.77	1.93	3.72	0.512	6.93	2.16	3.86	3.86	1.67	5.31	8.07	0.63	0.197	1.18	1.500	0.625	5.984	3/16 X 1.00	3/8 X 2.00